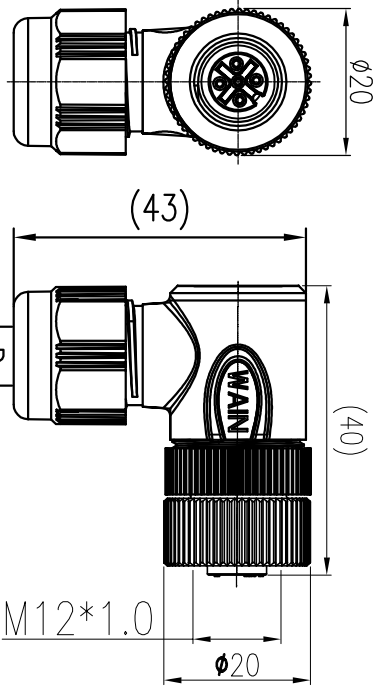


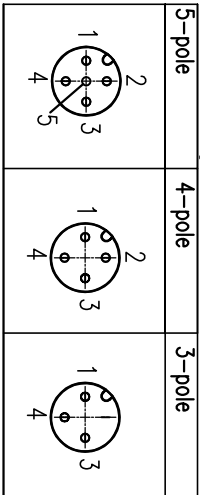
| 插针数 Contacts | 料号 Order No. | 产品代号 Part Code | 电缆直径(D) Cable outlet | 重量 Weight |
|-----------------|-----------------|-------------------|-------------------------|--------------|
| 3 | 1630035213101 | M12P-F03A-S-D6 | 4-6mm | 29.5g |
| | 1630035213102 | M12P-F03A-S-D8 | 6-8mm | 29.3g |
| | 1630045213101 | M12P-F04A-S-D6 | 4-6mm | 30.2g |
| 4 | 1630045213102 | M12P-F04A-S-D8 | 6-8mm | 30g |
| | 1630055213101 | M12P-F05A-S-D6 | 4-6mm | 32g |
| 5 | 1630055213102 | M12P-F05A-S-D8 | 6-8mm | 31.8g |



电缆直径:D6,D8
Cable outlet:D6,D8



针位排布图
Contact arrangement



技术参数:

- 产品系列: M12-A 编码
 - 插针数: 3 4 5
 - 额定电流(40°C): 4A 4A 4A
 - 额定电压: 250V 250V 125V
 - 额定脉冲电压: 2500V 2500V 1500V
 - 污染等级: 3
 - 接触电阻: ≤10mΩ
 - 防护等级: IP67
 - 插接次数: >100
 - 温度范围: -40°C...+85°C
 - 绝缘阻抗: >100MΩ
 - 接线方式: 螺钉锁紧
 - 线径范围: max:0.75mm² (max:AWG18)
 - 锁紧扭矩: 0.2Nm (螺钉接线)
 - 电缆直径: 4-6mm,6-8mm
 - 电缆剥线长度: 20mm
 - 导线剥线长度: 5mm
 - 材料特性:
 - 锁紧螺母: 塑料
 - 插针材料: 铜合金
 - 插针表面处理: 镀金
 - 外壳材料: PA
 - 颜色: RAL 9005 (黑色)
 - 绝缘材料: PA
- 符合标准: IEC 61076-2-101
- Standards: IEC 61076-2-101

Technical specification:

- Series: M12 A-Code
- Number of contacts: 3 4 5
- Rated current(40°C): 4A 4A 4A
- Rated voltage: 250V 250V 125V
- Rated impulse voltage: 2500V 2500V 1500V
- Pollution degree: 3
- Contact resistance: ≤10mΩ
- Degree of protector: IP67
- Mating cycles: >100
- Temperature range: -40°C - +85°C
- Insulation resistance: >100MΩ
- Termination method: screw connection
- Wire gauge: max:0.75mm² (max:AWG18)
- Torque: 0.2Nm (screw terminal blocks)
- Cable Outlet: 4~6mm,6-8mm
- Stripping length of the sheath: 20mm
- Stripping length of the individual wires:5mm
- Material properties:
- Material of locking system: Plastic
- Material of contact: copper alloy
- Contact plating: Au
- Material of housing : PA
- Colour of housing: RAL 9005 (Black)
- Material of insert: PA

| 标志 Mark | 次数 Number | 变更描述/ Description | 姓名/ Signature | 日期 Date | 表面处理 Finish | 材料 Material | 比例 Scale | 版本 REV. | 重量 Weight | 数量 Qty. | 图号 Drawing No. | 产品代号 Part Code | 产品料号 Part No. | 产品名称 Part Name |
|---------------|--------------|----------------------|------------------|------------|----------------|----------------|-------------|------------|--------------|------------|-------------------|-------------------|------------------|-------------------|
| 绘图 Drawn | ZM LIN | 17.09.2014 | | | | | 1:1 | V1.0 | | | | M12P-F0XA-S-DX | | |
| 审核 Checked | YY LUO | 17.09.2014 | | | | | | | | | | | | |
| 工艺 Process | | | | | | | | | | | | | | |

厦门唯恩电气有限公司
XIAMEN WANWAN ELECTRICAL CO.LTD